

KAA-001JM
COMPLETE CAMSHAFT KIT
PSA MODIFICATION 1.5
BLUE HDI ENGINES (DV5R)
FROM 2018 TO 2022



1697054780
1638159880
1638160880

COMPLETE KIT MODIFICATION
(COVER + 2 CAMSHAFTS + 8mm. CHAIN KIT)

SPECIFICATIONS :
MODIFIED COVER CASING - MODIFIED CAMSHAFTS MODIFIED
CHAIN KIT (8 mm.)

CHECK TO IDENTIFY IF THE VEHICLE REQUIRES MODIFICATION:

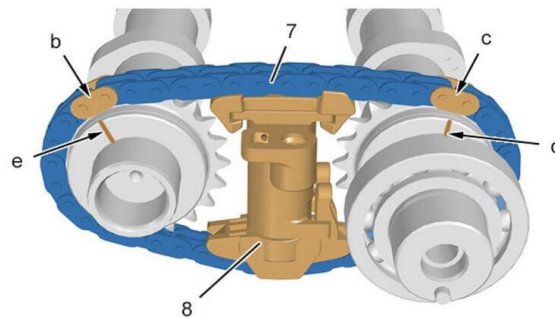
FOLLOWING CODE: 9830580480

IF THIS CODE IS DISPLAYED ON THE TIMING COVER, THE VEHICLE ALREADY HAS THE 8mm. REINFORCED CHAIN, AND THE MODIFICATION IS NOT REQUIRED.

FINALLY, THIS KIT IS NOT ONLY TO BE CONSIDERED A MODIFICATION BUT IS ALSO A REPLACEMENT PART FOR CARS EQUIPPED WITH AN 8mm. CHAIN.

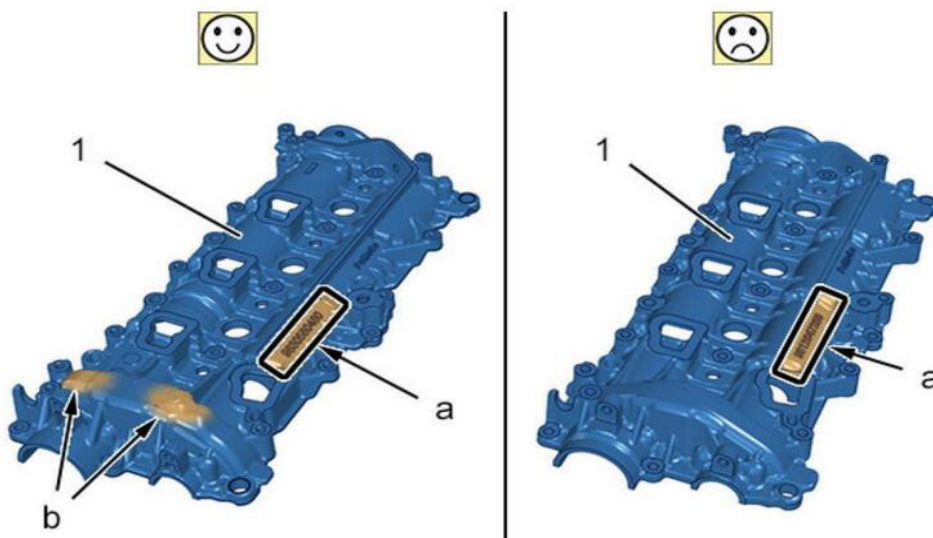
PSA TECHNICAL NOTE 1.5 BLUE HDI ENGINES (DV5R)

THE 1.5 BLUE HDI ENGINE DEVELOPED BY PSA IN 2018 HAS A PROBLEM: THE OILBATH TIMING CHAIN THAT CONNECTS THE CAMSHAFTS CAN WEAR PREMATURELY, FIRST BECOMING NOISY DUE TO ELONGATION AND EXCEEDING TOLERANCE, AND THEN BREAKING OR PREVENTING THE ENGINE FROM STARTING.



HOW TO RECOGNIZE THE FAULTY ENGINE :

AWARE OF THE ISSUE, PSA ENGINEERS MADE A SUBSTANTIAL MODIFICATION FROM JANUARY 2023 BY ADOPTING AN 8mm. CHAIN INSTEAD OF 7mm., ALONG WITH NEW CAMSHAFTS, A NEW CHAIN KIT, AND A NEW CASING. TO IDENTIFY THE OLD VERSION FROM THE NEW ONE, JUST LOOK AT THE TIMING CHAIN COVER: THE UPDATED VERSION HAS TWO SMALL PROTRUSIONS AS SHOWN BELOW, AND THE REFERENCE NUMBER FOR THE NEW VERSION IS: 98 305 804 80.



THUS, FOR NON-MODIFIED ENGINES, IF THE MODIFICATION TO THE 8mm CHAIN VERSION IS NOT CARRIED OUT, IT IS ADVISABLE TO USE 5W30 OIL INSTEAD OF THE INITIALLY RECOMMENDED 0W30, AS IT BETTER PROTECTS THE CHAIN GEARS WHEN THE ENGINE IS COLD.

Maker	Vehicle	Version	Engine (EngCode)	N° OE
CITROËN	BERLINGO (ER_, EC_), C-ELYSEE (DD_), C3 AIRCROSS II (2R_, 2C_), C3 III (SX), C4 CACTUS, C4 III (BA_, BB_, BC_), C4 SPACETOURER (3D_), C4 X (BD_, BE_, BF_), C5 AIRCROSS (A_), GRAND C4 SPACETOURER (3A_, 3E_)	1.5 BlueHDi 100, 1.5 BlueHDi 130 (ECYHZJ, ECYHZR), 1.5 BlueHDi 75, 1.5 BlueHDi 100 (2CYHYJ), 1.5 BlueHDi 120 (2CYHXX), 1.5 BlueHDi 100 (SXYHYP, SXYHTU), 1.5 BlueHDi 120, 1.5 BlueHDi 130 (BBYHZB), 1.5 BlueHDi 130, 1.5 BlueHDi 130 (BEYHZB), 1.5 BlueHDi 130 (ACYHZJ, ACYHZR)	YHY (DV5RD), YHT (DV5RCF), YHZ (DV5RC), YHW (DV5RE), YHX (DV5RC)	16 381 598 80, 16 970 547 80, 98 301 468 80 S4, 9823920080, 9828655380, 9828655580, 9830146880, 9830147280, 9830580480
FORD	ECOSPORT, FOCUS IV (HN), FOCUS IV Tre volumi (HM), FOCUS IV Turnier (HP), KUGA III (DFK), TOURNEO CONNECT / GRAND TOURNEO CONNECT V408 MPV / Space wag, TRANSIT CONNECT MPV / Space wagon	1.5 EcoBlue TDCi, 1.5 TDCi EcoBlue, 1.5 TDCi EcoBlue 4x4, 1.5 EcoBlue	Z2JA, ZTJA, ZTJB, ZTJC, Z2DA, ZTDB, ZTDA, Y9DA, Z2GA, ZTGA, BEGA	2 646 856, 2646854, 2648852, JX6Q-6A270-BA, JX6Q-6A273-BA
OPEL	COMBO E Tour / Life (K9), CORSA F (P2JO), CROSSLAND X / CROSSLAND (P17, P2QO)	1.5, 1.5 (68), 1.5 Turbo D (75)	D 15 DT (DV5RD), YHY (DV5RCF), D 15 DTH (DV5RC), F 15 DTH (DV5RCD)	16 381 598 80, 16 970 547 80, 98 301 468 80, 98 301 468 80 S4
PEUGEOT	2008 I (CU_), 2008 II (UD_, US_, UY_, UJ_, UR_, UC_), 208 I (CA_, CC_), 208 II (UB_, UP_, UW_, UJ_), 3008 II SUV (MC_, MR_, MJ_, M4_), 301, 308 II (LB_, LP_, LW_, LH_, L3_), 308 III (FB_, FH_, FP_, F3_, FM_), 308 SW II (LC_, LJ_, LR_, LX_, L4_), 308 SW III (FC_, FJ_, FR_, F4_, FN_), 5008 II (MC_, MJ_, MR_, M4_), 508 II (FB_, FH_, F3_), RIFTER	1.5 BlueHDi 100, 1.5 BlueHDi 120, 1.5 BlueHDi 130, BlueHDi 130 (FBYHZL, FBYHZT), BlueHDi 130 (FCYHZL, FCYHZT), 1.5 BlueHDi 130 (MCYHZJ, MCYHZR, MCYHZX), 1.5 BlueHDi 130 (FBYHZJ, FBYHZR), 1.5 BlueHDi 75 (ECYHW)	YHY (DV5RD), YHX (DV5RC), YHZ (DV5RC), YHT (DV5RCF), YHW (DV5RE)	16 381 598 80, 16 970 547 80, 98 301 468 80, 98 301 468 80 S4, 9823920080, 9828655380, 9828655580, 9830146880, 9830147280, 9830580480
TOYOTA	PROACE CITY VERSO MPV / Space wagon (BKY_)	1.5 D-4D 100 (BKYM)	DV5RD, DV5RCF, DV5RC	SU001-B4631
VAUXHALL	COMBO Mk IV (E) Life (K9), CORSA Mk V (F), CROSSLAND X / CROSSLAND (P17)	1.5, 1.5 Turbo D (75)	D 15 DTH (DV5RC), D 15 DT (DV5RD), D 15 DT (DV5RCF)	16 381 598 80, 16 970 547 80, 98 301 468 80, 98 301 468 80 S4
FIAT	SCUDO Furgone 1.5 Multijet 100 (506), DOBLO MPV / Space wagon (510_, 511_, 360_, 361_), DOBLO Cassone/Limousine spaziosa (510_, 511_)	BlueHDi 100, BlueHDi 130, BlueHDi 130 4x4	DV5RC, DV5RCF, DV5RUC, DV5RUCD	9830146880
DS	DS 7 Crossback (J4_, JR_, JC_), DS 3 / DS 3 CROSSBACK (UR_, UC_, UJ_), DS 4 II (FR_, FB_, F3_), DS 7 (J4_, JC_)	1.5 BlueHDi 130 (UCYHZR), BlueHDi 130 (FBYHZT), BlueHDi 130 (JCYHZU), 1.5 BlueHDi 130 (JCYHZJ, JCYHZR), 1.5 BlueHDi 100 (UCYHYJ), 1.5 BlueHDi 110 (UCYHSK)	YHY (DV5RD), YHZ (DV5RC)	98 301 468 80 S4, 16 970 547 80, 16 381 598 80